
MES-BPT-001_EN



Parts & Components Manual

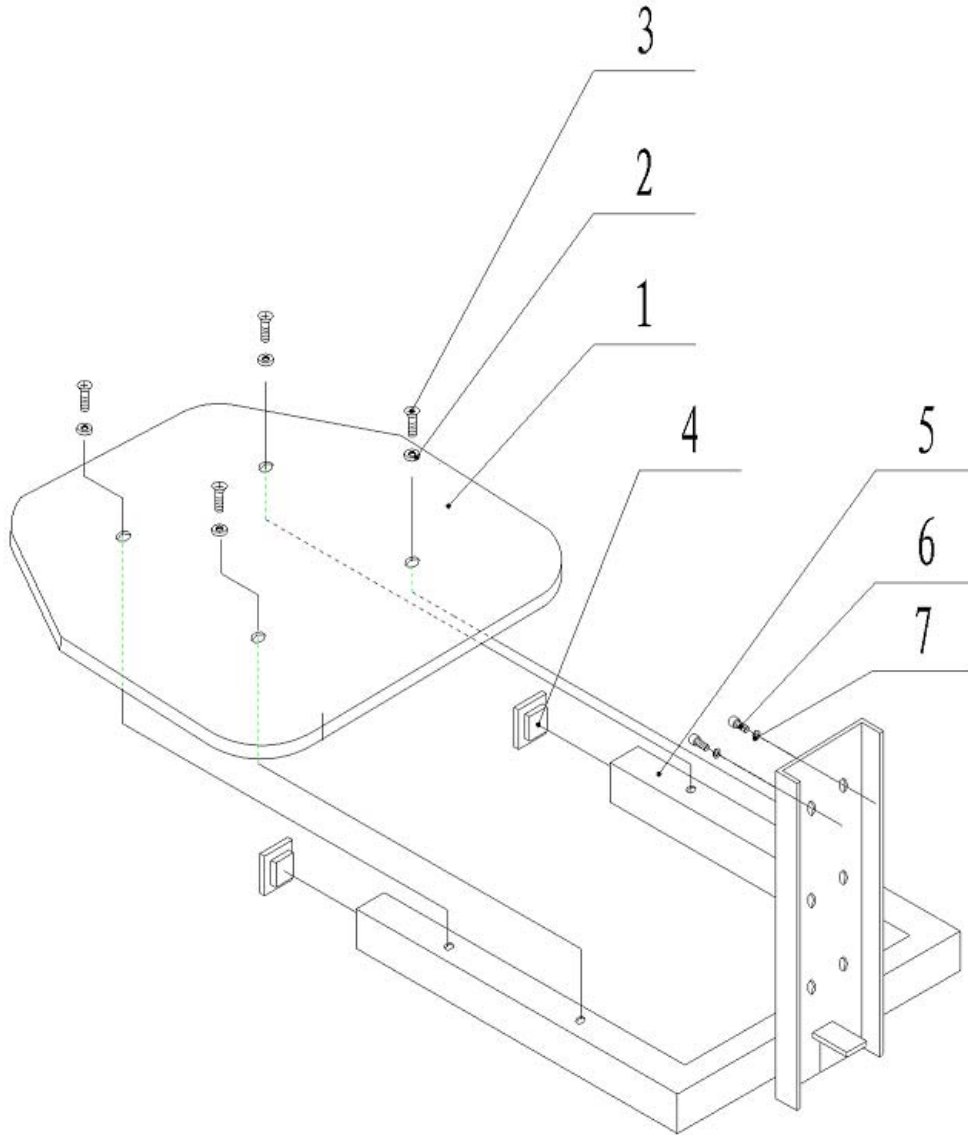
MES Mini Semi-electric Stacker

Date: 2010.07

TABLE OF CONTENTS

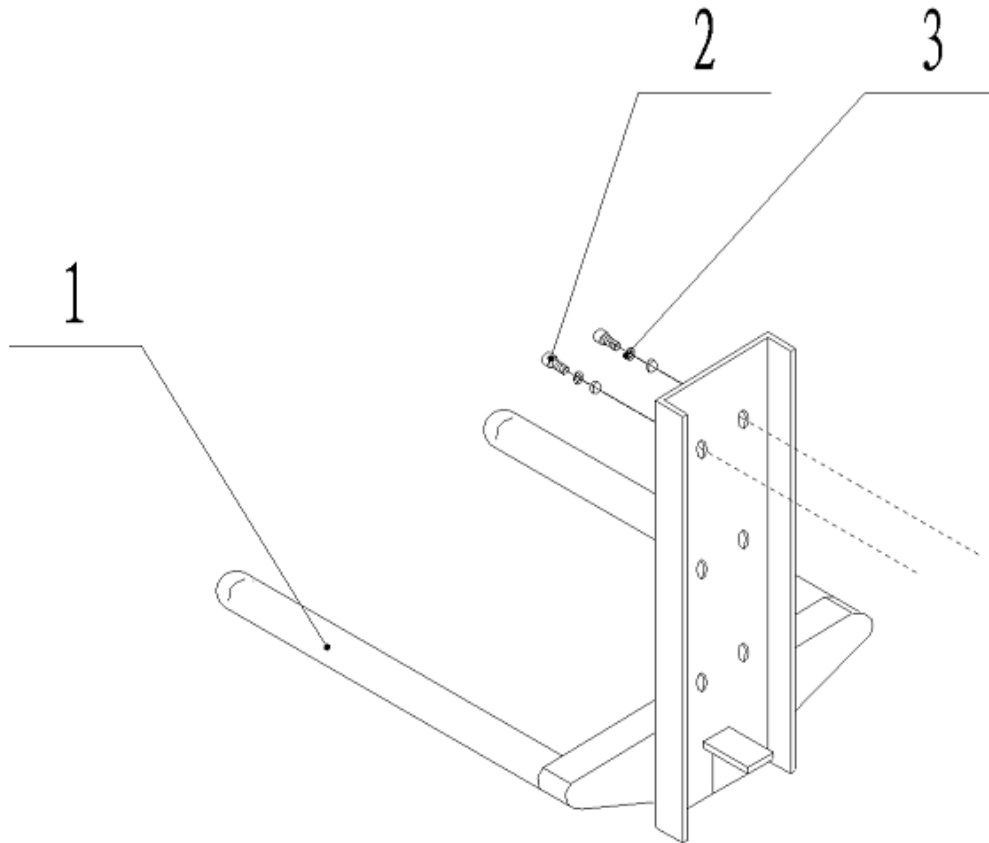
- Fig.1 Pallet Frame Assembly 错误！未定义书签。**
- Fig.2 Double Fork Pallet Frame Assembly 错误！未定义书签。**
- Fig.3 Single Fork Pallet Frame Assembly 错误！未定义书签。**
- Fig.4 801 Pallet Frame Assembly 错误！未定义书签。**
- Fig.5 Mast Assembly 错误！未定义书签。**
- Fig.6 Frame Assembly 错误！未定义书签。**
- Fig.7 801 Frame Assembly 错误！未定义书签。**

Fig.1 Pallet Frame Assembly



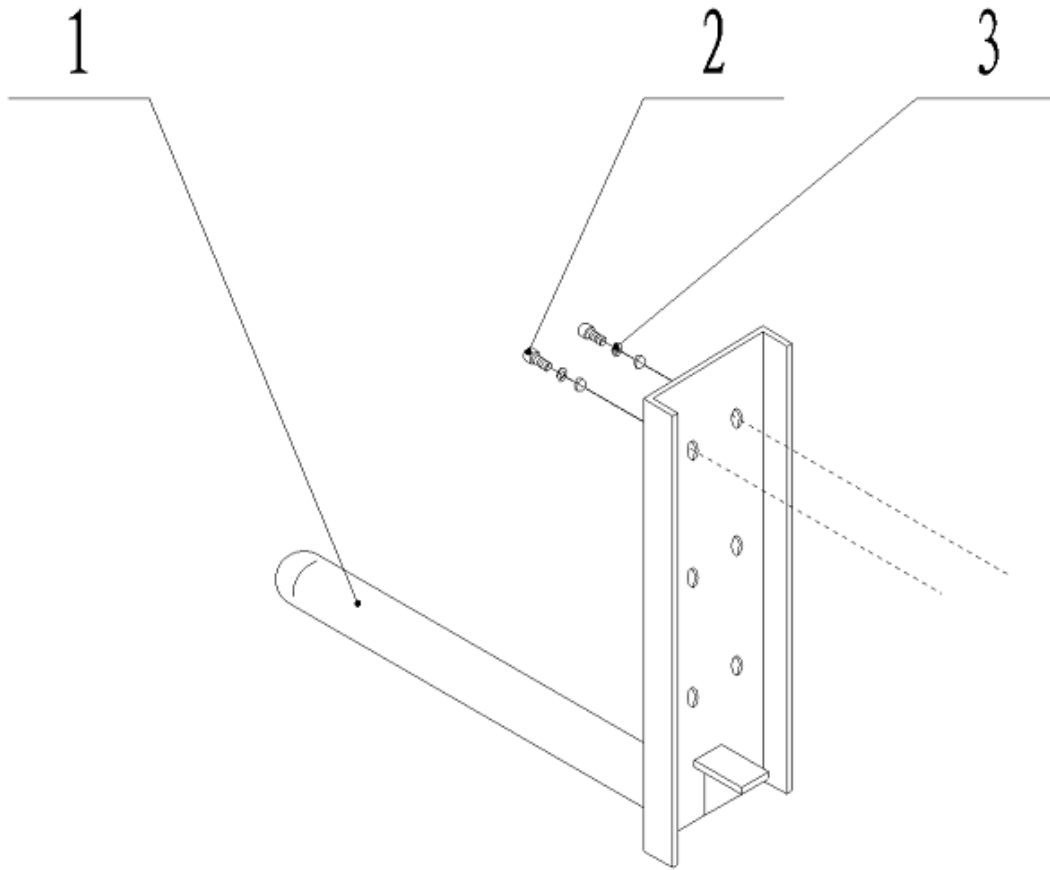
No.	Part number	Item	Quantity	Remarks
1	2550203001	Support plate	1	
2	0000024045	Nut	4	
3	0000023708	Screw	4	
4	2550203002	Plug	2	
5	2550201001	Pallet frame welding	1	
6	0000023388	Screw	6	
7	0000023055	Flat washer	6	

Fig.2 Double Fork Pallet Frame Assembly



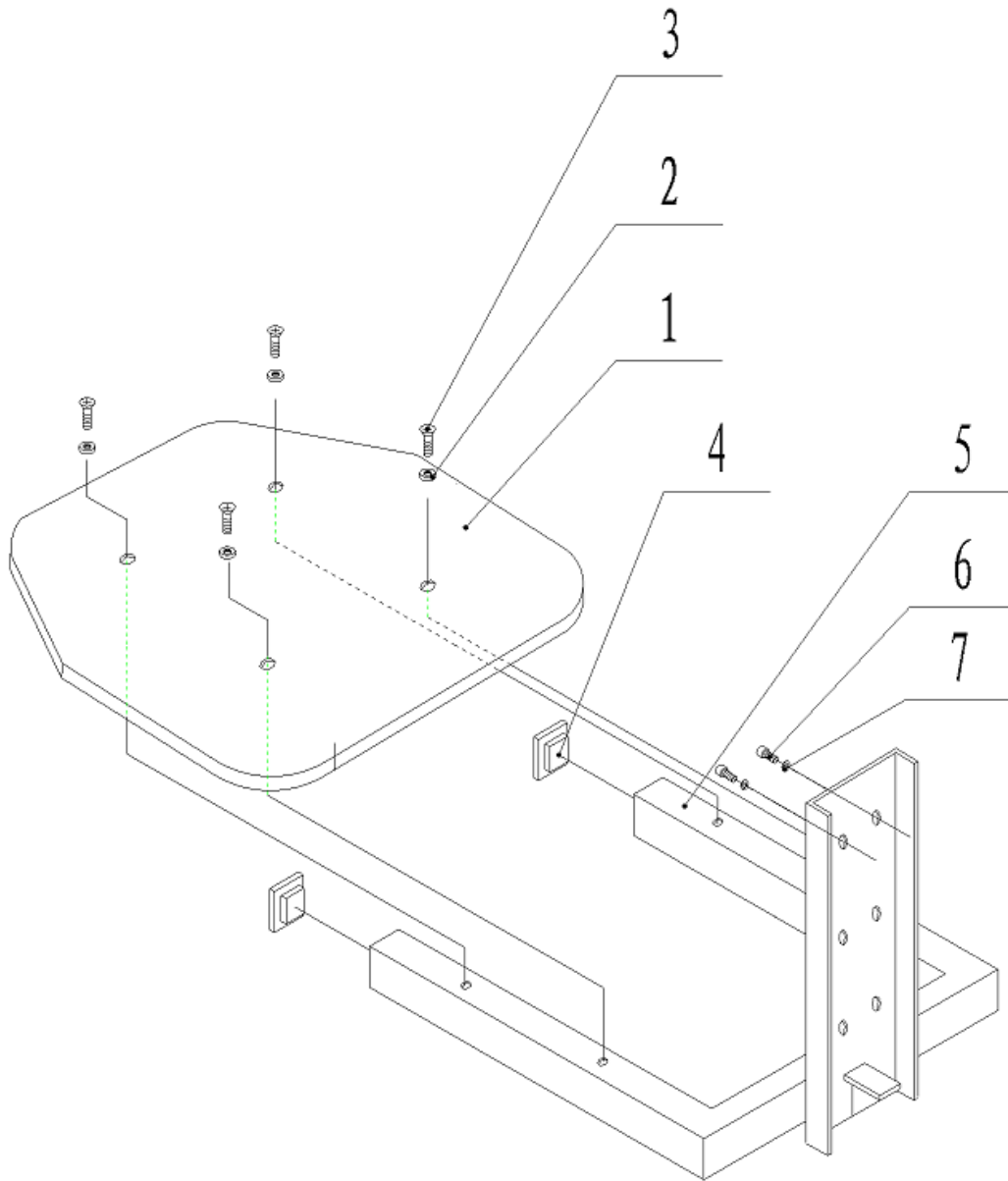
No.	Part number	Item	Quantity	Remarks
1	2550201004	Pallet frame welding	1	
2	0000023388	Screw	6	
3	0000023055	Flat washer	6	

Fig.3 Single Fork Pallet Frame Assembly



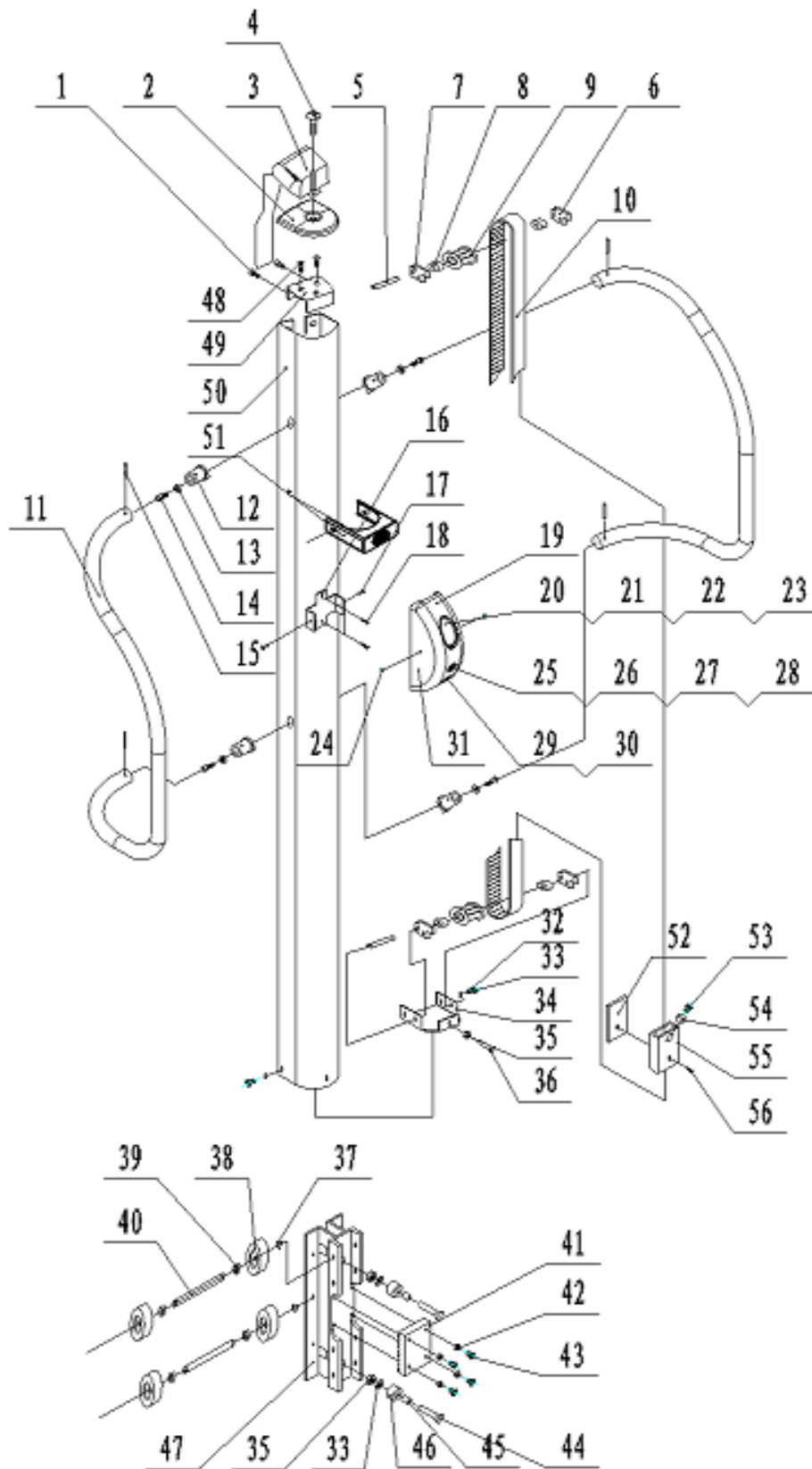
No.	Part number	Item	Quantity	Remarks
1	2550201003	Pallet frame welding	1	
2	0000023388	Screw	6	
3	0000023055	Flat washer	6	

Fig.4 801 Pallet Frame Assembly



No.	Part number	Item	Quantity	Remarks
1	2550203003	Support plate	1	
2	0000024045	Nut	4	
3	0000023708	Screw	4	
4	2550203002	Plug	2	
5	2550201002	Pallet frame welding	1	
6	0000023388	Screw	6	
7	0000023055	Flat washer	6	

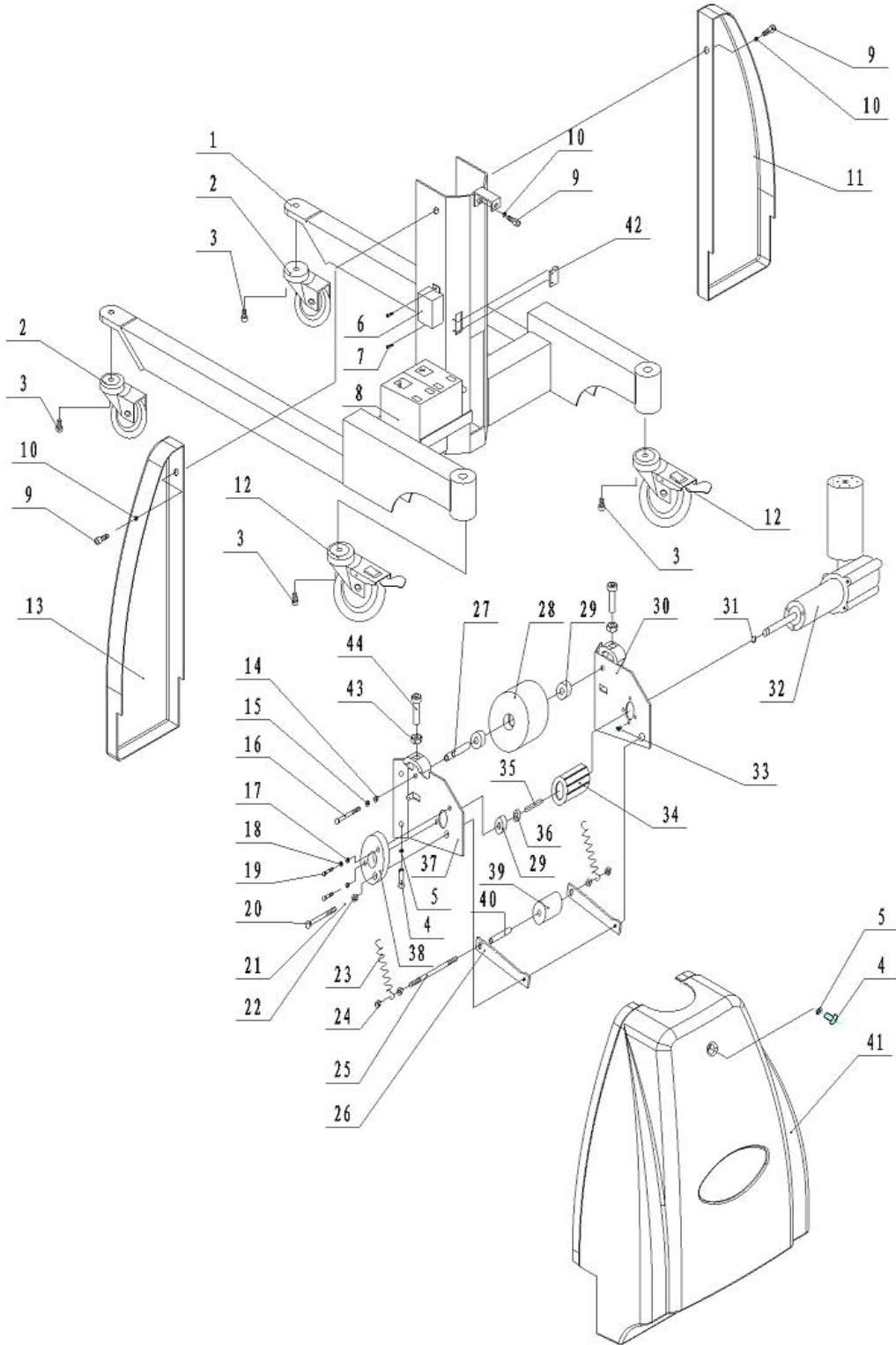
Fig.5 Mast Assembly



No.	Part number	Item	Quantity	Remarks
1	0000023718	Screw	2	
2	2550304006	Cover plate	1	
3	2550300014	Safety belt box	1	
4	0000023080	Screw	1	
5	2550307001	Transmission axle (1)	1	
6	2550319001	Elastic dottle pin	2	
7	2550319002	Elastic dottle pin	2	
8	0000027092	Bearing	4	
9	2550300002	Driving wheel	2	
10	2550319003	Driving belt	1	
11	2550301001	Handrail welding	1	
12	2550305001	Connection sleeve	4	
13	0000025001	Spring washer 8	4	
14	0000023067	Screw	4	
15	0000028147	Cylindrical pin	4	
16	2550304007	Mounting frame	1	
17	0000023725	Screw	2	
18	0000023728	Bolt	2	
19	2550334003	Indicator light	1	
20	1000131003	Button spring	2	
21	1000103006	Spring seat	2	
22	1000134002	Micro switch	2	
23	0000023009	Screw	4	
24	0000023725	Screw	3	
25	1000103005	Button mounting frame	2	
26	1000118001	Dust cover	2	
27	2550303007	Button film	2	
28	1000114005	Lifting button	2	
29	2550334001	Tumbler switch	1	
30	2550334002	Socket	1	
31	2550303008	Switch box	1	
32	0000023044	Screw	2	

33	0000025128	Flat washer	4	
34	2550304004	Under frame	1	
35	0000024003	Nut	3	
36	0000023047	Screw	1	
37	0000026041	Circlip	4	
38	2550300004	Roller kit	8	
39	2550303003	Plastic sleeve	8	
40	2550307004	Axle	4	
41	2550302002	Tooth support	1	
42	0000024007	Nut	4	
43	0000023720	Screw	4	
44	0000023724	Screw	2	
45	2550313001	Bushing	2	
46	2550303006	Guide wheel	2	
47	2550300008	Gear frame assembly	1	
48	0000023719	Screw	2	
49	2550301002	Upper pulling plate welding	1	
50	2550337004	Railpipe	1	
51	2550300013	Coulombmeter fixing assembly	1	
52	2550304002	Pressing plate	1	
53	0000023721	Screw	2	
54	2550300003	Magnetic steel kit	2	
55	2550301003	Magnetic steel supporting frame welding	1	
56	0000023412	Bolt	1	

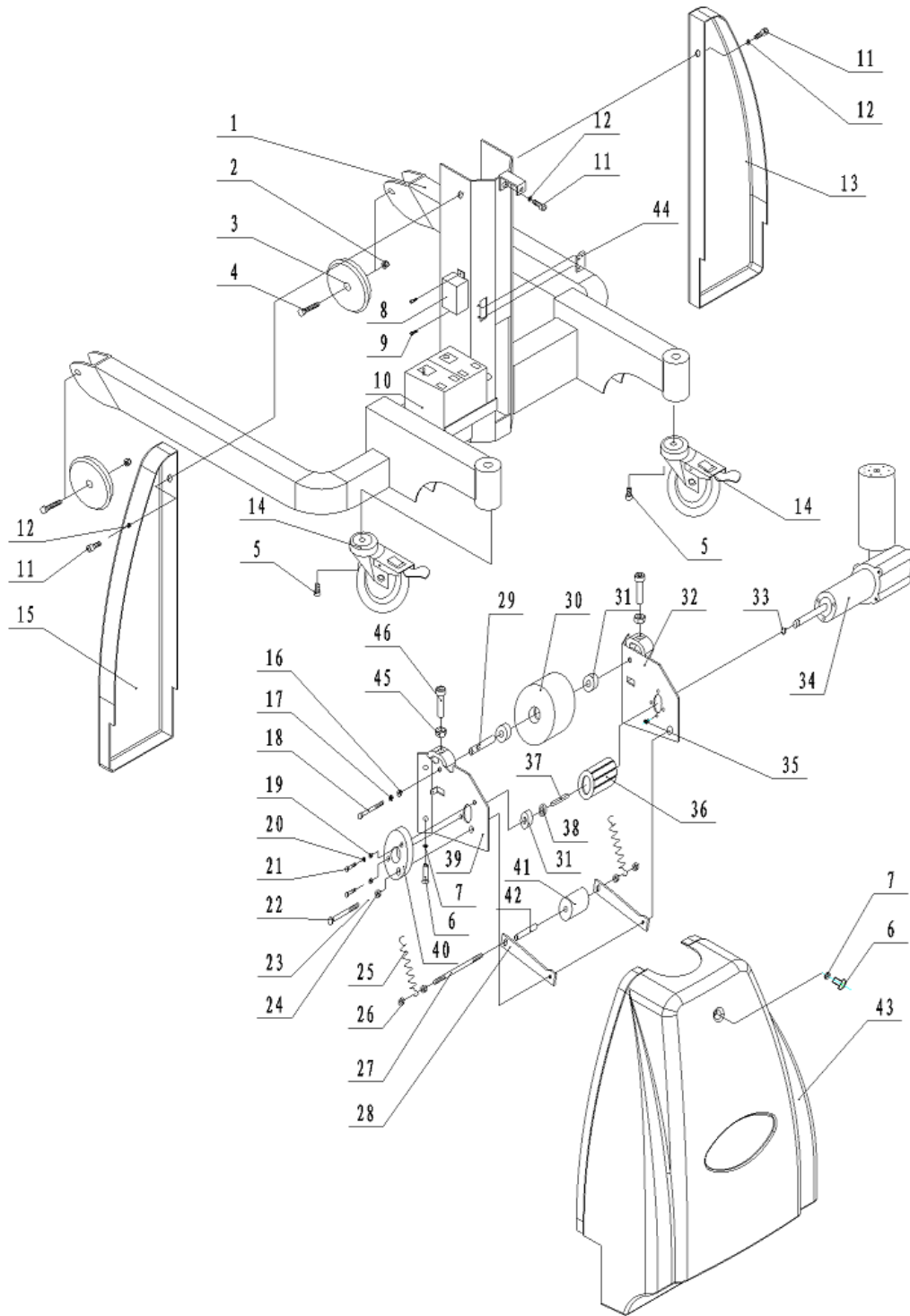
Fig.6 Frame Assembly



No.	Part number	Item	Quantity	Remarks
1	2550101001	Frame welding	1	
2	2550100001	Front steering wheel kit	2	
3	0000023156	Screw	4	
4	0000023040	Screw	5	
5	0000025127	Flat washer	5	
6	2550300012	Electric control kit	1	
7	0000023726	Screw	2	
8	2550334005	Battery	2	
9	0000023067	Screw	3	
10	0000025128	Flat washer	3	
11	2550300011	Right cover kit	1	
12	2550100002	Rear steering wheel assembly	2	
13	2550300010	Left cover kit	1	
14	0000024005	Nut	1	
15	0000025001	Spring washer	1	
16	0000023723	Bolt	1	
17	0000024064	Nut	2	
18	0000025010	Spring washer	2	
19	0000023601	Bolt	2	
20	0000023723	Bolt	1	
21	0000025001	Spring washer	1	
22	0000024005	Nut	1	
23	2550321001	Tension spring	2	
24	0000024045	Nut	4	
25	2550302005	Stud bolt	1	
26	2550304003	Tension arm	2	
27	2550307002	Hollow axle	1	
28	2550337003	Light wheel	1	
29	0000027092	Bearing	3	
30	2550301004	Right support plate welding	1	
31	0000026041	Circlip	1	

32	2550300005	Motor reducer kit	1	
33	0000023317	Screw	4	
34	2550309002	Driving wheel	1	
35	0000036015	Flat pin	1	
36	2550303005	Washer (一)	1	
37	2550301005	Left support plate kit	1	
38	2550304005	Bearing seat	1	
39	2550319004	Tension wheel	1	
40	2550302004	Bushing	1	
41	2550303009	Rear cover	1	
42	2550334007	Magnetic switch	2	
43	0000024066	Nut	2	
44	0000023106	Screw	2	

Fig.7 801 Frame Assembly



No.	Part number	Item	Quantity	Remarks
1	2550101002	Frame welding	1	
2	0000023005	Nut	2	
3	2550100003	Front wheel	2	
4	0000023599	Screw	2	
5	0000023156	Screw	2	
6	0000023040	Screw	5	
7	0000025127	Flat washer	5	
8	2550300012	Electric control kit	1	
9	0000023726	Screw	2	
10	2550334005	Battery	2	
11	0000023067	Screw	3	
12	0000025128	Flat washer	3	
13	2550300011	Right cover kit	1	
14	2550100002	Rear steering wheel kit	2	
15	2550300010	Left cover kit	1	
16	0000024005	Nut	1	
17	0000025001	Spring washer	1	
18	0000023723	Bolt	1	
19	0000024064	Nut	2	
20	0000025010	Spring washer	2	
21	0000023601	Bolt	2	
22	0000023723	Bolt	1	
23	0000025001	Spring washer	1	
24	0000024005	Nut	1	
25	2550321001	Tension spring	2	
26	0000024045	Nut	4	
27	2550302005	Stud bolt	1	
28	2550304003	Tension arm	2	
29	2550307002	Hollow axle	1	
30	2550337003	Light wheel	1	
31	0000027092	Bearing	3	

32	2550301004	Right support plate welding	1	
33	0000026041	Circlip	1	
34	2550300005	Motor reducer kit	1	
35	0000023317	Screw	4	
36	2550309002	Driving wheel	1	
37	0000036015	Flat pin	1	
38	2550303005	Washer (一)	1	
39	2550301005	Left support plate welding	1	
40	2550304005	Bearing seat	1	
41	2550319004	Tension wheel	1	
42	2550302004	Bushing	1	
43	2550303009	Rear cover	1	
44	2550334007	Magnetic switch	2	
45	0000024066	Nut	2	
46	0000023106	Screw	2	